

Chapa Perfilada

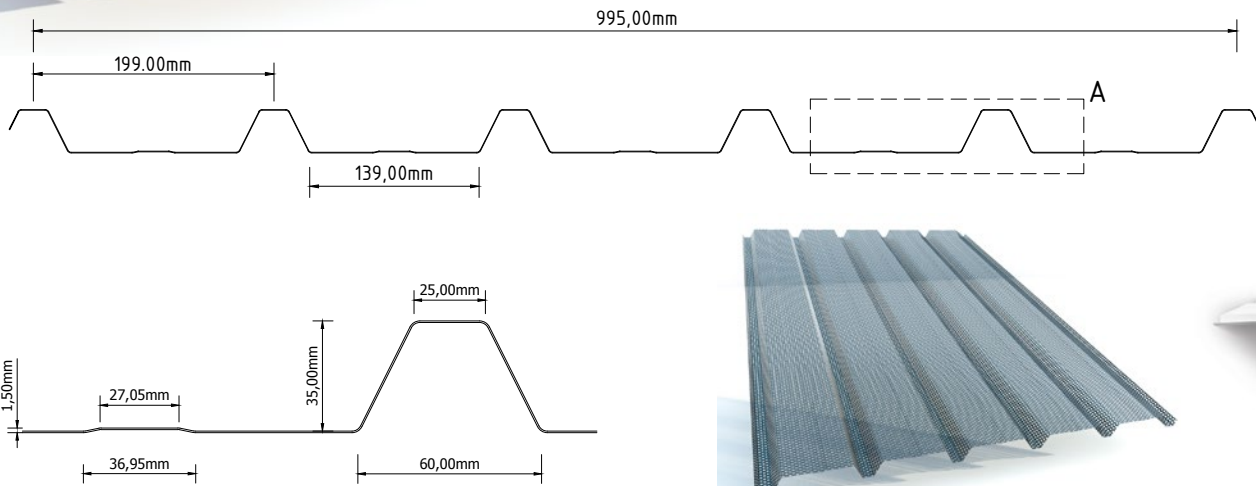
* Coberturas e Fachadas

ref. PERFITEC TR35/995

* Chapa perfilada ref. Perfitec TR35/995 aplicação Coberturas



* ref. Perfitec TR35/995 - Perfil curvo



* Pormenor A



* ref. Perfitec TR35/995 - F / MF



* ref. Perfitec TR35/995 - F - Perfil curvo



ref. PERFITEC TR35/995 - F

* Chapa perfilada ref. Perfitec TR35/995 - F aplicação Fachadas

Esp. (mm)	Peso (KN/m ²)	Secção (cm ² /m)	Momentos positivos		Momentos negativos	
			Inércia efetiva (cm ⁴ /m)	Mód. de flexão efetivo (cm ³ /m)	Inércia efetiva (cm ⁴ /m)	Mód. de flexão efetivo (cm ³ /m)
0.45mm	0.046	5.90	7.67	2.87	5.42	2.77
0.5mm	0.051	6.58	8.86	3.37	6.20	3.13
0.6mm	0.062	7.93	11.26	4.36	7.82	3.89
0.7mm	0.072	9.29	13.19	5.13	9.51	4.62
0.8mm	0.083	10.65	15.07	5.89	11.27	5.39

Chapa ref. Perfitec TR35/995 de Aço S320GD.

Esp. (mm)	Sistema Estrutural	Cargas atuantes descendentes (KN/m ²)											Cargas atuantes ascendentes (KN/m ²)										
		1.00m	1.10m	1.20m	1.30m	1.40m	1.50m	1.60m	1.70m	1.80m	1.90m	2.00m	1.00m	1.10m	1.20m	1.30m	1.40m	1.50m	1.60m	1.70m	1.80m	1.90m	2.00m
0.45mm	1 Vão	4.86	4.01	3.36	2.85	2.31	1.86	1.53	1.26	1.06	0.89	0.76	4.75	3.93	3.21	2.52	2.02	1.64	1.35	1.13	0.95	0.81	0.69
	2 + Vãos	4.67	3.85	3.23	2.75	2.36	2.05	1.80	1.56	1.30	1.10	0.94	4.92	4.07	3.42	2.92	2.52	2.20	1.92	1.60	1.35	1.15	0.98
0.5mm	1 Vão	5.70	4.70	3.94	3.29	2.62	2.12	1.74	1.44	1.20	1.02	0.86	5.37	4.45	3.63	2.85	2.28	1.86	1.53	1.27	1.07	0.91	0.78
	2 + Vãos	5.29	4.37	3.66	3.11	2.68	2.32	2.04	1.77	1.48	1.25	1.06	5.77	4.77	4.02	3.42	2.96	2.58	2.18	1.82	1.53	1.30	1.11
0.6mm	1 Vão	7.39	6.10	5.11	4.07	3.25	2.63	2.15	1.78	1.49	1.26	1.07	6.68	5.52	4.45	3.50	2.80	2.28	1.88	1.56	1.32	1.12	0.96
	2 + Vãos	6.58	5.43	4.55	3.87	3.33	2.89	2.53	2.18	1.82	1.54	1.31	7.48	6.18	5.20	4.44	3.83	3.26	2.69	2.24	1.89	1.60	1.37
0.7mm	1 Vão	8.69	7.17	6.01	4.77	3.80	3.08	2.52	2.09	1.75	1.48	1.25	7.92	6.55	5.30	4.17	3.34	2.71	2.23	1.86	1.57	1.33	1.14
	2 + Vãos	7.81	6.44	5.40	4.59	3.95	3.43	3.01	2.57	2.15	1.82	1.55	8.79	7.27	6.12	5.22	4.50	3.85	3.17	2.64	2.23	1.89	1.62
0.8mm	1 Vão	9.97	8.22	6.90	5.46	4.36	3.53	2.89	2.39	2.00	1.69	1.44	9.25	7.66	6.16	4.85	3.88	3.15	2.60	2.17	1.82	1.55	1.33
	2 + Vãos	9.12	7.53	6.31	5.37	4.62	4.01	3.52	2.97	2.49	2.10	1.79	10.09	8.34	7.02	5.98	5.17	4.44	3.66	3.05	2.57	2.18	1.87